

Kleen-Tex

Returns

Kleen-Tex
 Unit 1 Bolton Textile Mill
 Emlyn Street
 Farnworth
 Bolton BL4 7EB
 United Kingdom

Affix Postage Here

----- FOLD -----

1. PLEASE COMPLETE

Name:
Order No.:
Reason for Return:

PLEASE READ CAREFULLY

You must affix the correct postage to this label before you return your item to us.

Please ensure the item is securely wrapped, preferably in the same container it was shipped to you in.

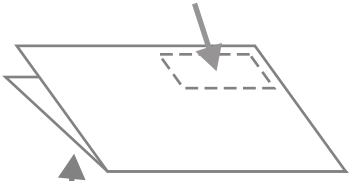
Make sure this label is folded and clearly displayed as illustrated, with sufficient sticky tape to hold it in place until it is returned to us.

Please note you are responsible for the item/s until they are safely back in our possession. Proof of postage is not proof of receipt.


Please read our full Terms and Conditions on our website.



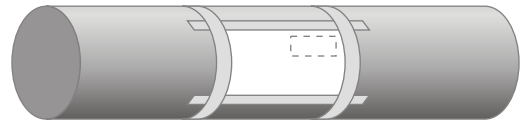
2. AFFIX POSTAGE



3. FOLD



4. TAPE



5. SECURE